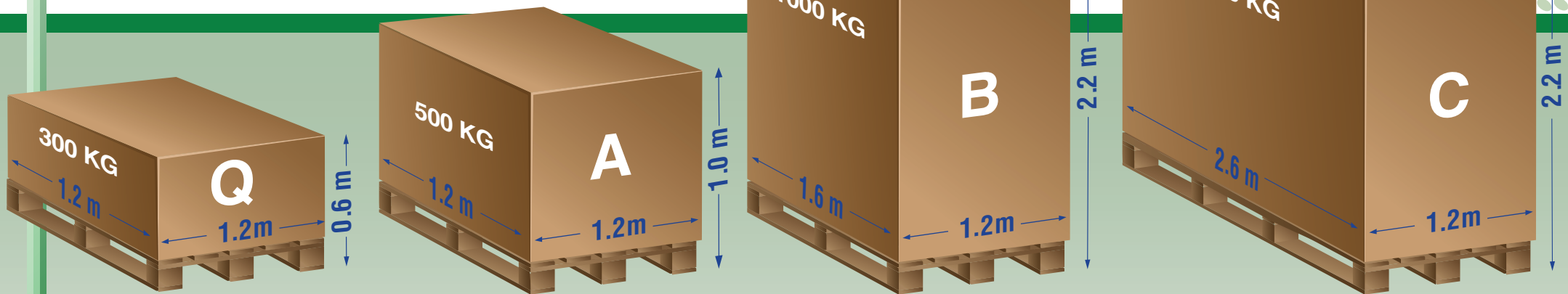




FOR YOUR INFORMATION
FOR A SMOOTHER OPERATION
FORTEC[®] PALLET DEFINITIONS



Pallet definitions for UK and European deliveries

- Q** 200kg 1.2m x 1.2m x 0.600m
- A** 500kg 1.2m x 1.2m x 1.0 m
- B** 1000kg 1.2m x 1.6m x 2.2 m
- C** 1250kg 1.2m x 2.6m x 2.2 m

LHT Logistics Limited 15-16 Hickman Avenue, Highams Park Industrial Estate, Chingford, London E4 9JG
Tel: 020 888 41 888 Fax: 020 888 41 666 Email: info@lhtlogistics.com Web: www.lhtlogistics.com



• HAULAGE & PALLET EXPRESS • STORAGE & DISTRIBUTION •

